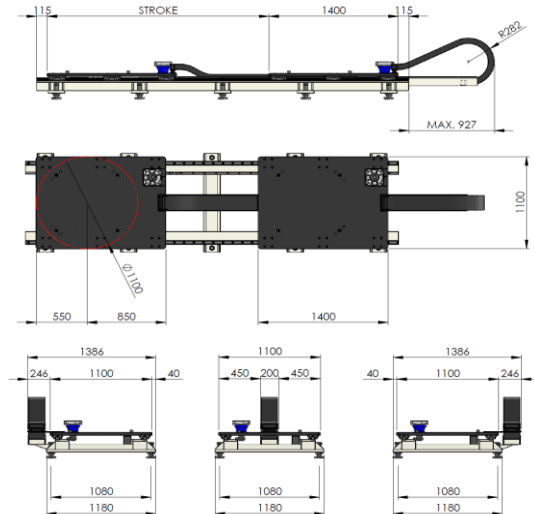
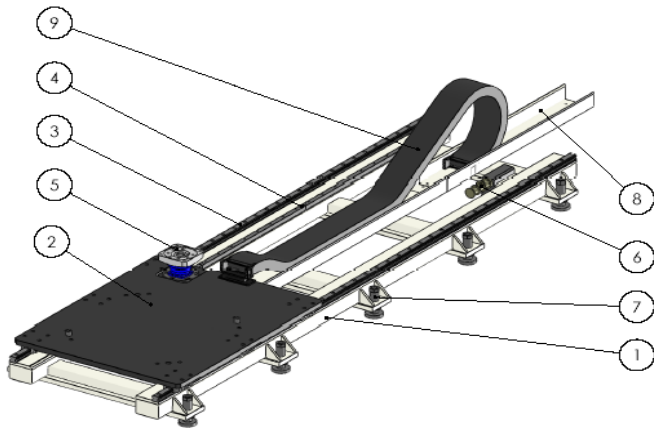




ROBOT GUIDE ART. SL1400

MAXIMUM SPEED	MINIMUM STOPPING DISTANCE	MAXIMUM CAPACITY robot weight + payload
m/sec.	mm	Kg
1,5	250	1400



NR DESCRIPTION OF BASIC COMPONENTS

- | | |
|---|---------------------------|
| 1 | Electrowelded steel frame |
| 2 | Robot fixing plane |
| 3 | Recirculating ball guide |
| 4 | Rack |
| 5 | Epicyclic reduction gear |
| 6 | Schock absorber |
| 7 | Adjustable feets |
| 8 | Catenary guide |
| 9 | Catenary |

BASIC GUIDE PRICE, EX-WORKS € 18.000,00

DESCRIPTION OF ADDITIONAL COMPONENTS MODULES

Q.TY

- Linear guide in electrowelded structure complete of recirculating ball guide and rack (*minimum stroke)

1 Meter*

MODULE 1 METER PRICE, EX-WORKS € 1.500,00

EXCLUSIONS

- Robot cables, motor and drive
- Installation, wiring, debug and tests