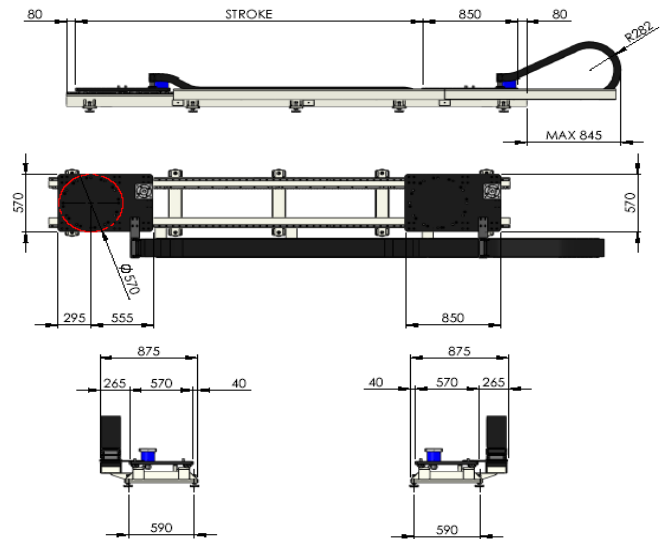
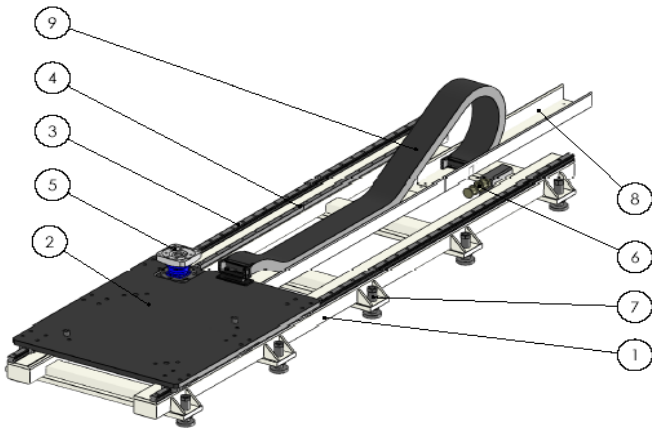




ROBOT GUIDE ART. SL300

| | | |
|---------------|---------------------------|--|
| MAXIMUM SPEED | MINIMUM STOPPING DISTANCE | MAXIMUM CAPACITY robot weight + payload |
| m/sec. | mm | Kg |
| 1,7 | 250 | 300 |



| NR | DESCRIPTION OF BASIC COMPONENTS |
|----|---------------------------------|
|----|---------------------------------|

| | |
|---|---------------------------|
| 1 | Electrowelded steel frame |
| 2 | Robot fixing plane |
| 3 | Recirculating ball guide |
| 4 | Rack |
| 5 | Epicyclic reduction gear |
| 6 | Schock absorber |
| 7 | Adjustable feets |
| 8 | Catenary guide |
| 9 | Catenary |

| | |
|------------------------------------|--------------------|
| BASIC GUIDE PRICE, EX-WORKS | € 15.000,00 |
|------------------------------------|--------------------|

| DESCRIPTION OF ADDITIONAL COMPONENTS MODULES | Q.TY |
|--|------|
|--|------|

| | |
|---|----------|
| - Linear guide in electrowelded structure complete of recirculating ball guide and rack (*minimum stroke) | 1 Meter* |
|---|----------|

| | |
|---------------------------------------|-------------------|
| MODULE 1 METER PRICE, EX-WORKS | € 1.050,00 |
|---------------------------------------|-------------------|

| EXCLUSIONS |
|------------|
|------------|

| |
|---|
| - Robot cables, motor and drive |
| - Installation, wiring, debug and tests |