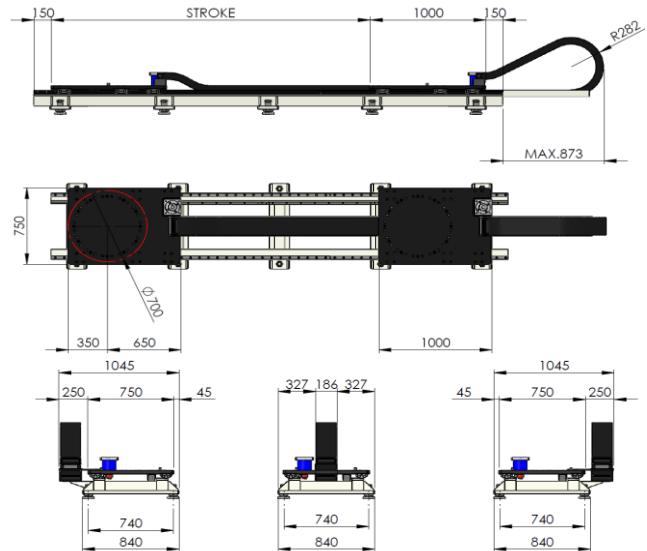
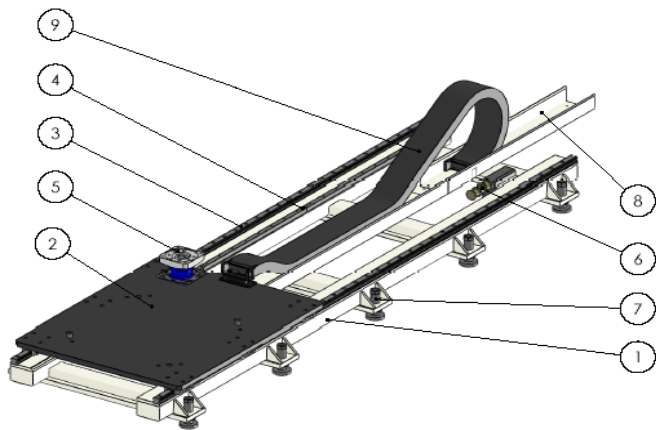




ROBOT GUIDE ART. SL800

MAXIMUM SPEED	MINIMUM STOPPING DISTANCE	MAXIMUM CAPACITY robot weight + payload
m/sec.	mm	Kg
1,5	250	800



NR DESCRIPTION OF BASIC COMPONENTS

- 1 Electrowelded steel frame
- 2 Robot fixing plane
- 3 Recirculating ball guide
- 4 Rack
- 5 Epicyclic reduction gear
- 6 Schock absorber
- 7 Adjustable feet
- 8 Catenary guide
- 9 Catenary

BASIC GUIDE PRICE, EX-WORKS € 16.500,00

DESCRIPTION OF ADDITIONAL COMPONENTS MODULES

Q.TY

- Linear guide in electrowelded structure complete of recirculating ball guide and rack (*minimum stroke)

1 Meter*

MODULE 1 METER PRICE, EX-WORKS € 1.200,00

EXCLUSIONS

- Robot cables, motor and drive
- Installation, wiring, debug and tests