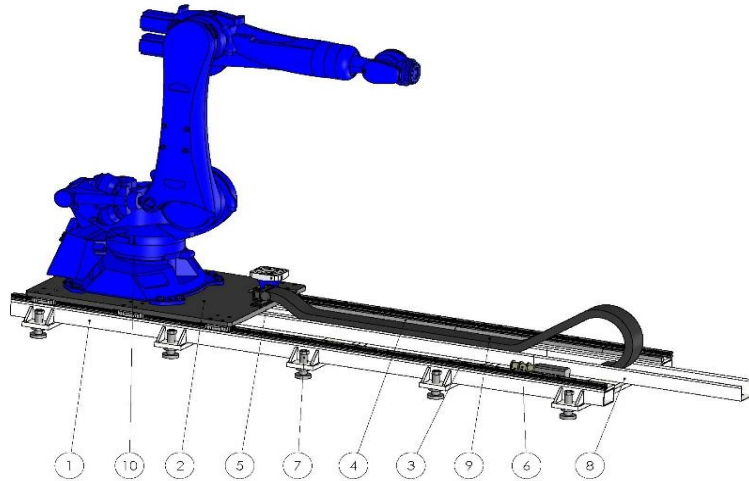




## GUIDE WITH ROBOT ART. SLR1400

MAXIMUM SPEED	MINIMUM STOPPING DISTANCE	ROBOT PAYLOAD HIGH	MAXIMUM CAPACITY robot weight+payload
m/sec.	mm	Kg	Kg
1,5	250	60-300	1400



### NR DESCRIPTION OF BASIC COMPONENTS

- 1 Electrowelded steel frame
- 2 Robot fixing plane
- 3 Recirculating ball guide
- 4 Rack
- 5 Epicyclic reduction gear
- 6 Shock absorber
- 7 Adjustable feet
- 8 Catenary guide
- 9 Catenary
- 10 Robot

### BASIC GUIDE PLUS ROBOT, PRICE EX-WORKS

**€ 64.000,00**

- with ROBOT 120 Kg / R=2500 mm

### DESCRIPTION OF ADDITIONAL COMPONENTS MODULES

**Q.TY**

- Linear guide in electrowelded structure complete of recirculating ball guide and rack (\*minimum stroke)

1 meter\*

### • MODULE 1 METER, PRICE EX WORKS

**€ 1.600,00**

### EXCLUSION

- Installation, wiring, debug and tests

- Price on request for robots of different sizes