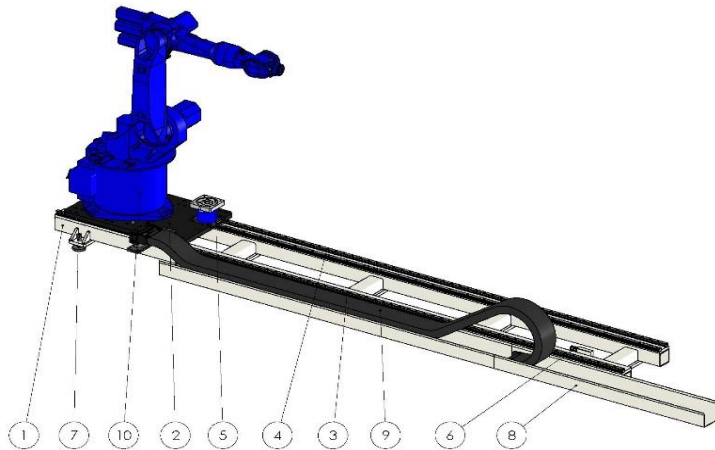




GUIDE WITH ROBOT ART. SLR300

MAXIMUM SPEED	MINIMUM STOPPING DISTANCE	ROBOT PAYLOAD LOW	MAXIMUM CAPACITY robot weight+payload
m/sec.	mm	Kg	Kg
1,7	250	6-20	300



NR DESCRIPTION OF BASIC COMPONENTS

- 1 Electrowelded steel frame
- 2 Robot fixing plane
- 3 Recirculating ball guide
- 4 Rack
- 5 Epicyclic reduction gear
- 6 Shock absorber
- 7 Adjustable feet
- 8 Catenary guide
- 9 Catenary
- 10 Robot

BASIC GUIDE PLUS ROBOT, PRICE EX-WORKS

€ 49.000,00

- with ROBOT 15 Kg / R=1500 mm

DESCRIPTION OF ADDITIONAL COMPONENTS MODULES

Q.TY

- Linear guide in electrowelded structure complete of recirculating ball guide and rack (*minimum stroke)

1 meter*

• MODULE 1 METER, PRICE EX WORKS

€ 1.500,00

EXCLUSION

- Installation, wiring, debug and tests

- Price on request for robots of different sizes