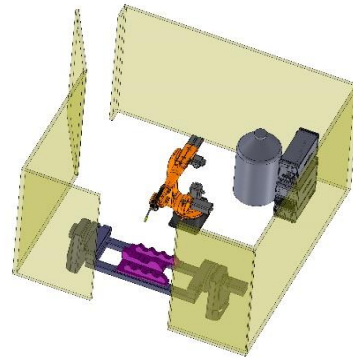
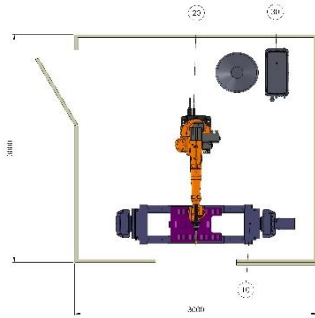




## ROBOTIC WELDING CELL Art. CS1



UNIT	UNIT DESCRIPTION	Q.TY	PRICE
00	Development of layout, system design	1	
10	Single welding Lathe	1	
20	Welding robot	1	
30	Welding machine	1	
100	Electric cabinet	1	
110	Electric system	1	
120	Protection guards	1	
130	Pneumatic system	1	
140	Installation of SISTEC sub-assemblies	1	
150	Trial and internal test at SISTEC	1	

### SUB-TOTAL, EX-WORKS

UNIT	OPTIONAL	Q.TY	PREZZO
00	Supervisor software HMI "OPIS 2.0"	1	€ 7,500.00

UNIT	EXCLUSIONS
00	Development of software for system management and welding path for one piece
00	Software off-line
160	Installation, wiring and start-up